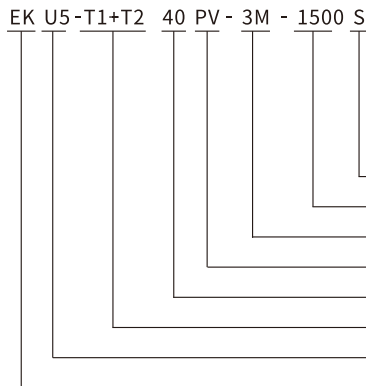




EKU5-T1+T2-40PV  
3P(1500VDC)

### Product Selection Guide



- With Remote Signaling
- Uc: 1500: DC1500V
- No. of Module: 3:3Module
- Solar PV System
- I.max: 40kA
- Classification T1+T2
- SPD serie No.5
- Company Code

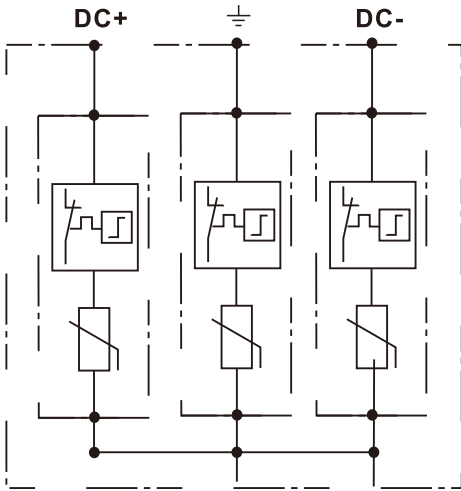
### Technical Data

SPD classification according to IEC/EN61643-31			T1+T2
Max. continuous operating a.c.voltage	Ucpv		1500VDC
Impulse Discharge Current (10/350 μs)	Iimp		6.25kA
Total Discharge Current (10/350 μs)	ITotal		12.5kA
Norminal discharge current (8/20μs)	In		20kA
Maximum discharge current (8/20μs)	Imax		40kA
Voltage protection level DC+/DV-to PE	Up	3Mods	≤5.2kV
Response time	tA		≤25ns
Operating temperature range	Tu		-40°C~80°C
Operating State/Fault Indication			Green/Red
Cross-section area (Min.)			4mm <sup>2</sup>
Cross-section area (Max.)			35mm <sup>2</sup>
For mounting on			35mm Din rail
Enclosure material			Thermal Plastic UL94-V0
Degree of Protection			IP20
No. of Moudles			3P(3Mods)

### SPD Type Reference List

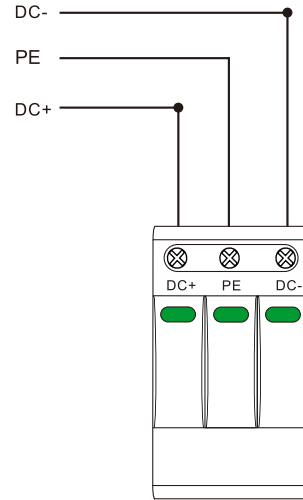
No. of Poles	Max. Continuous Operating DC Voltage
	1500VDC
3Module	EKU5-T1+T2-40PV-3M1500
With Remote Signaling	
3Module	EKU5-T1+T2-40PV-3M1500S

Basic circuit diagram



3P

Connection Diagram



EKU5-T1-T2-40PV

Overall and Installation Dimension(mm)

